



Installation instructions, accessories

Volvo Car Corporation Gothenburg, Sweden

Instruction No	Version	Part. No.
31664127	1.0	31664124, 31664123, 31664520, 31664521

Polestar Performance Intake and Exhaust kit



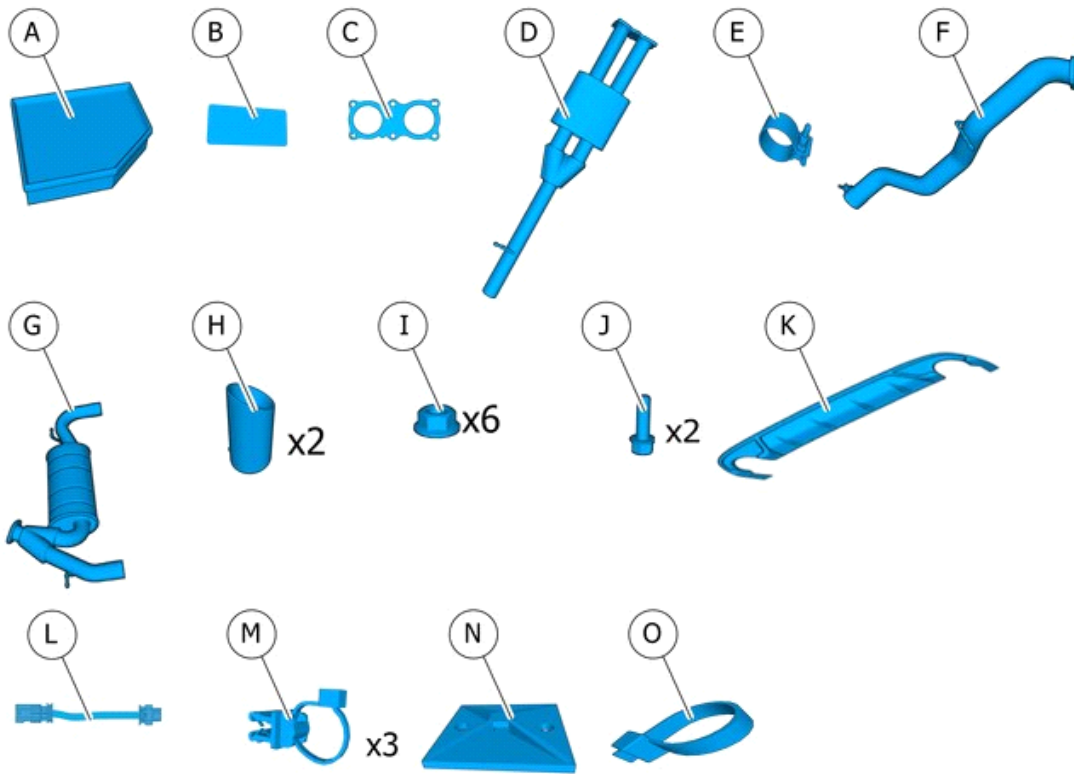
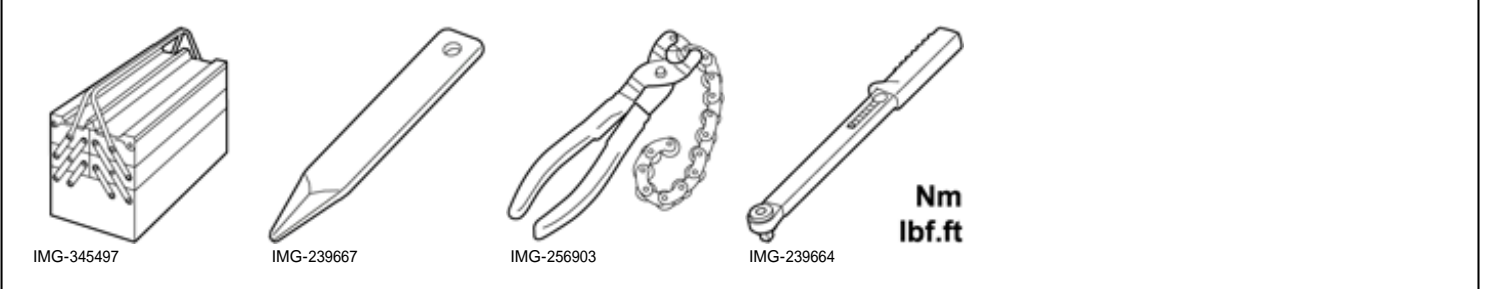
Installation instructions, accessories

Volvo Car Corporation Gothenburg, Sweden

Materials

Designation	Part number
Isopropanol	

Equipment



IMG-421710



Installation instructions, accessories

Volvo Car Corporation Gothenburg, Sweden

Information

1

Read through all of the instructions before starting installation.

Notifications and warning texts are for your safety and to minimise the risk of something breaking during installation.

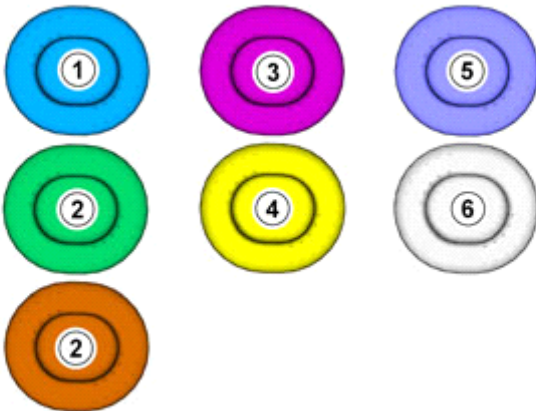
Ensure that all tools stated in the instructions are available before starting installation.

Certain steps in the instructions are only presented in the form of images. Explanatory text is also given for more complicated steps.

In the event of any problems with the instructions or the accessory, contact your local Volvo dealer.

Color symbols

2



IMG-363036

Note!

This colour chart displays (in colour print and electronic version) the importance of the different colours used in the images of the method steps.

- Used for focused component, the component with which you will do something.
- Used as extra colors when you need to show or differentiate additional parts.
- Used for attachments that are to be removed/installed. May be screws, clips, connectors, etc.
- Used when the component is not fully removed from the vehicle but only hung to the side.
- Used for standard tools and special tools.
- Used as background color for vehicle components.

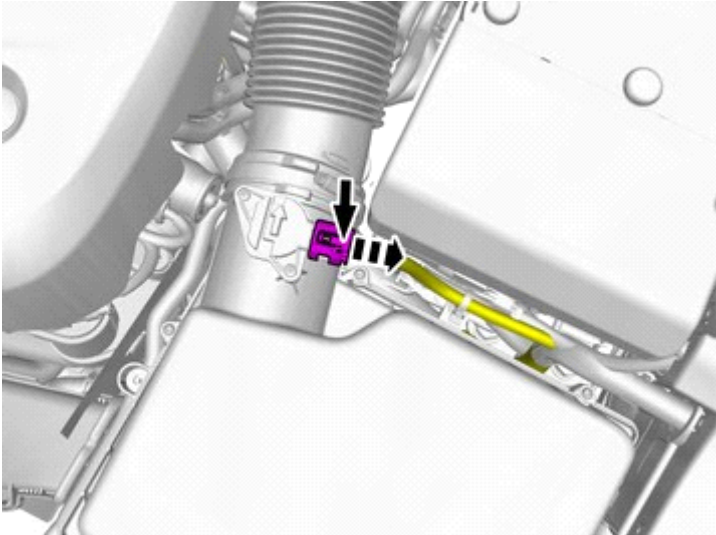
Removal



Installation instructions, accessories

Volvo Car Corporation Gothenburg, Sweden

3

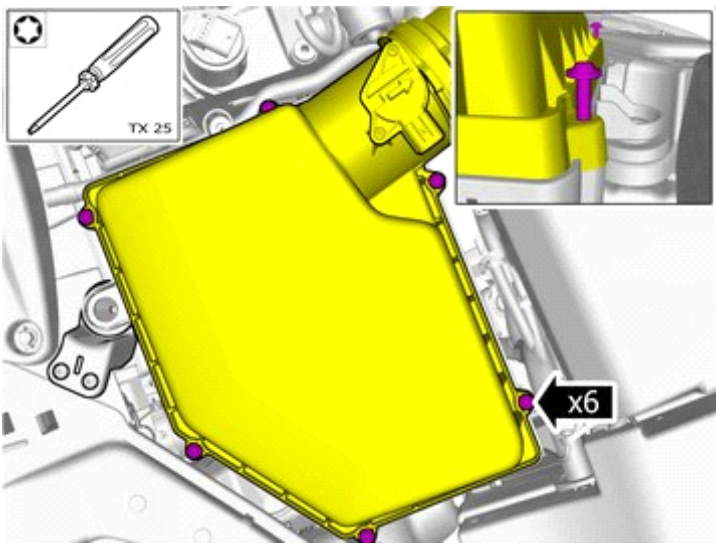


Release the connector's catch.

Disconnect the connector.

IMG-416095

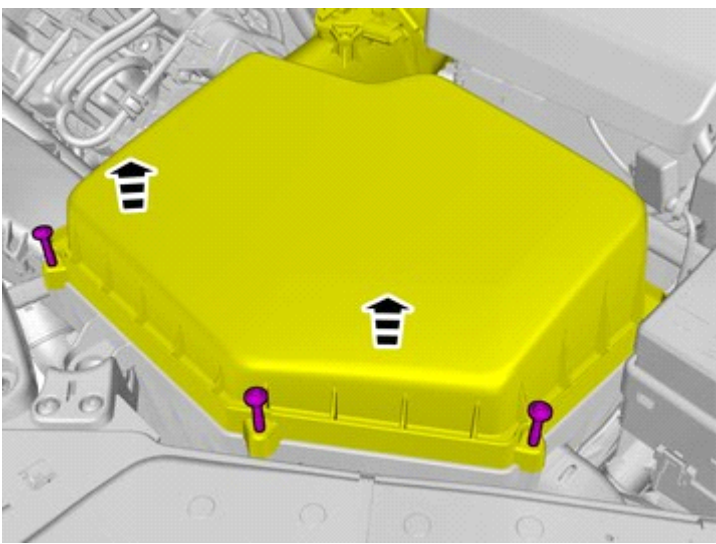
4



Remove the screws.

IMG-416097

5



Lift the marked component up

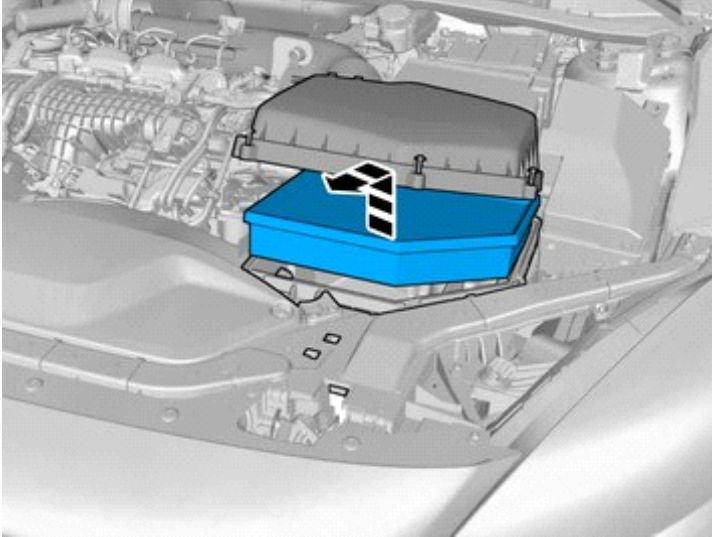
IMG-416098



Installation instructions, accessories

Volvo Car Corporation Gothenburg, Sweden

6



IMG-416099

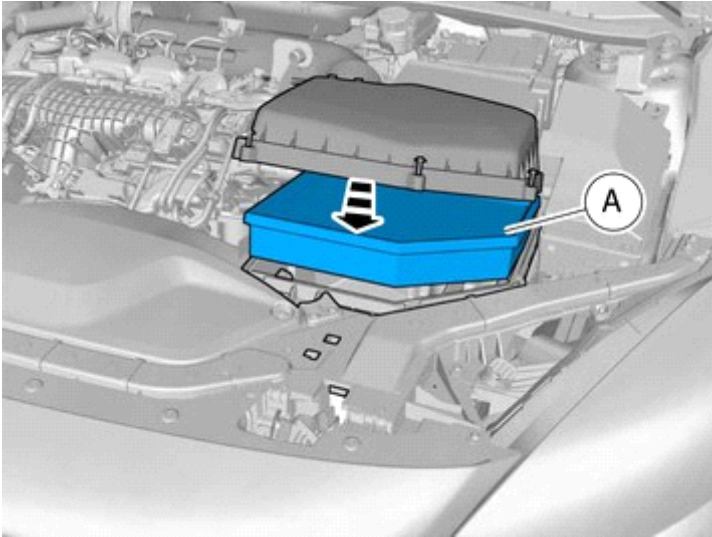
Lift the marked component up

Remove the marked part.

The part is not to be reused.

Accessory installation

7



IMG-416301

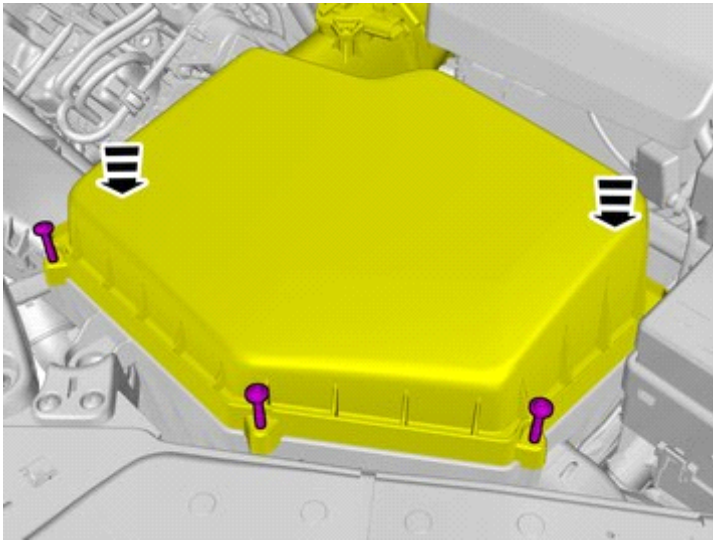
Install component that comes with the accessory kit.



Installation instructions, accessories

Volvo Car Corporation Gothenburg, Sweden

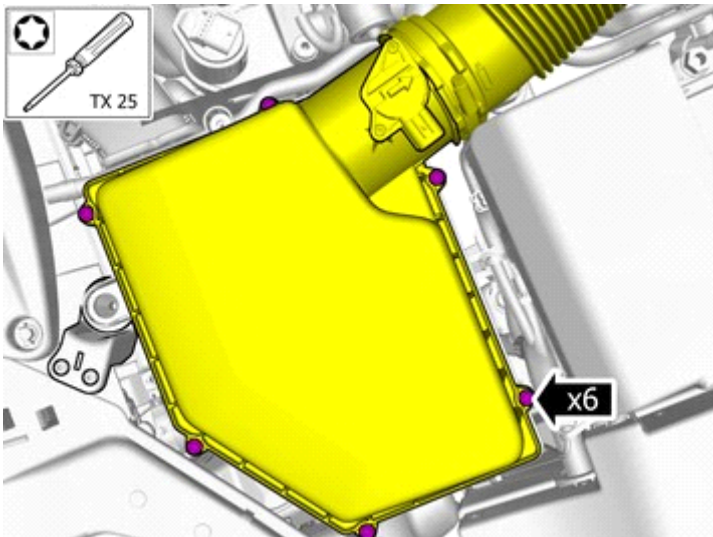
8



IMG-416101

Reinstall the removed part.

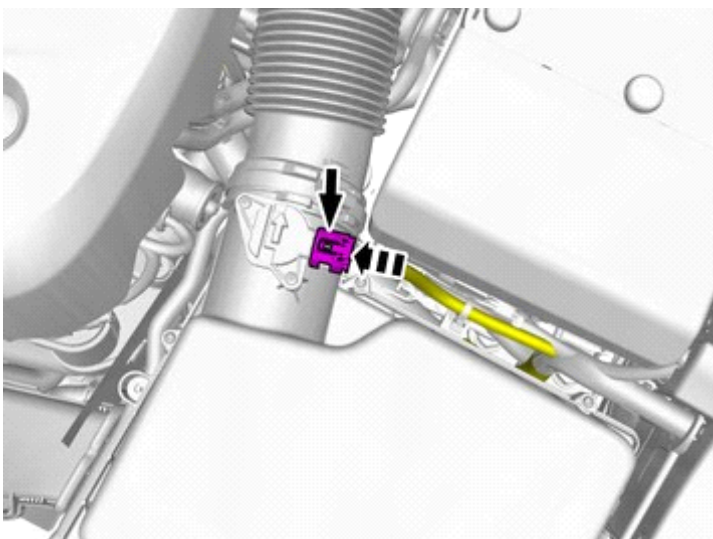
9



IMG-416102

Tighten the bolts.

10



IMG-416105

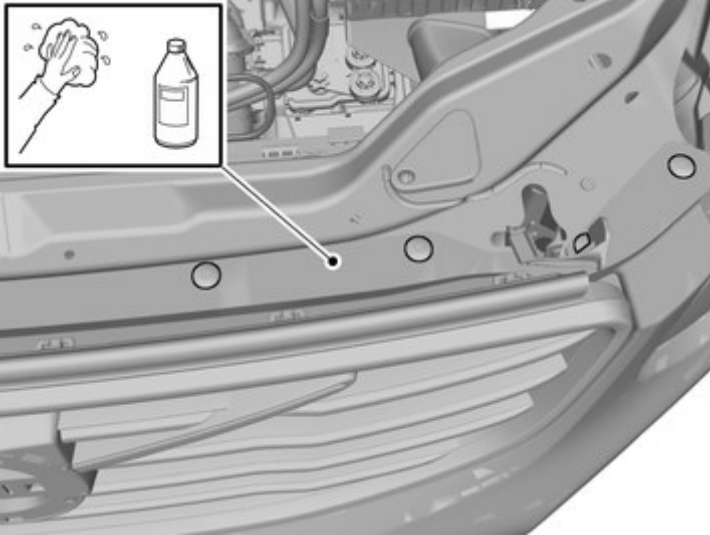
Connect the connector.



Installation instructions, accessories

Volvo Car Corporation Gothenburg, Sweden

11

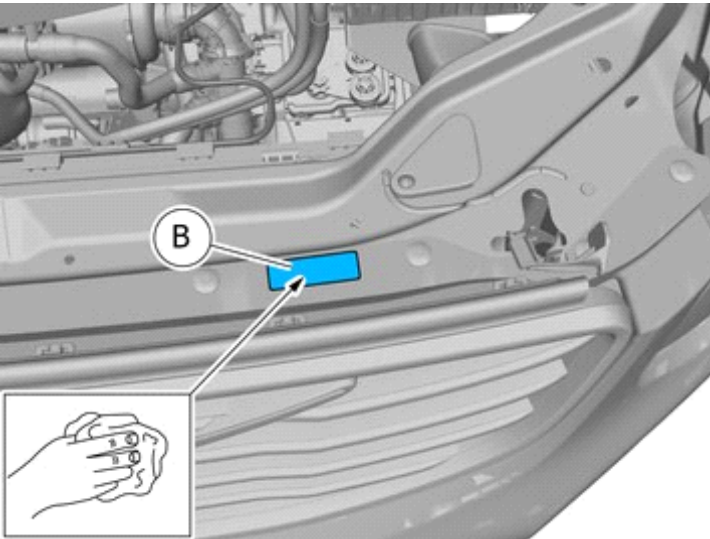


IMG-418585

Clean the surface.

Use: , Isopropanol

12



IMG-418586

Install component that comes with the accessory kit.

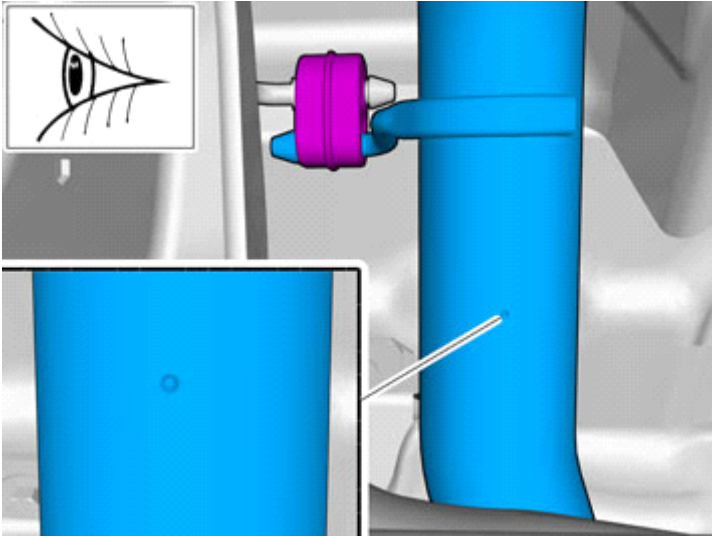
Removal



Installation instructions, accessories

Volvo Car Corporation Gothenburg, Sweden

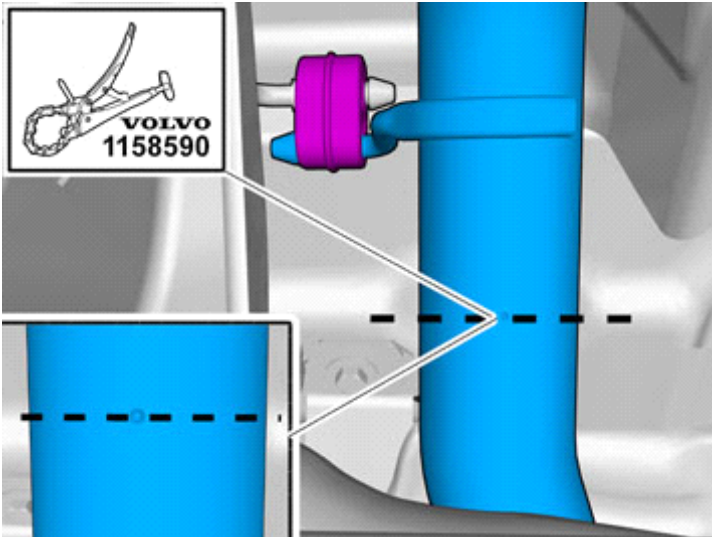
13



IMG-350971

Locate relevant marking.

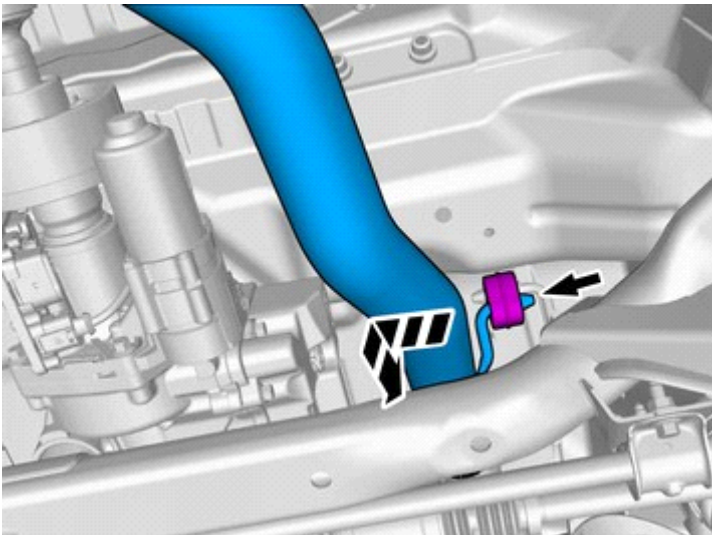
14



IMG-350912

Use: Pipe cutter

15



IMG-421627

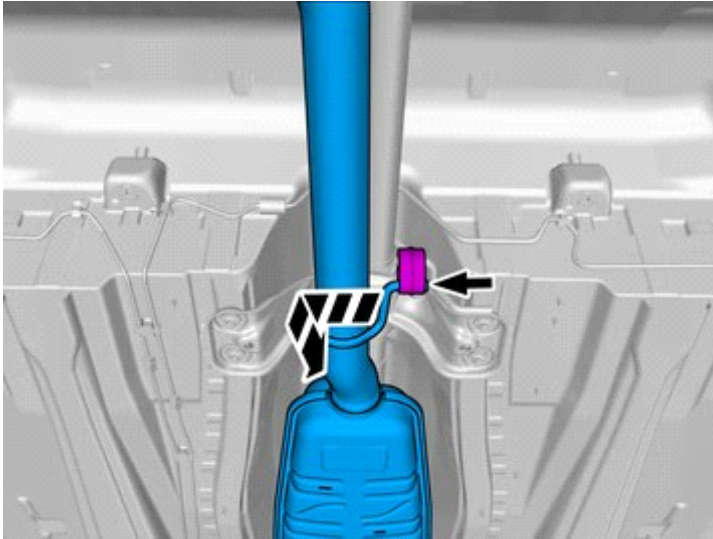
Remove the marked part.



Installation instructions, accessories

Volvo Car Corporation Gothenburg, Sweden

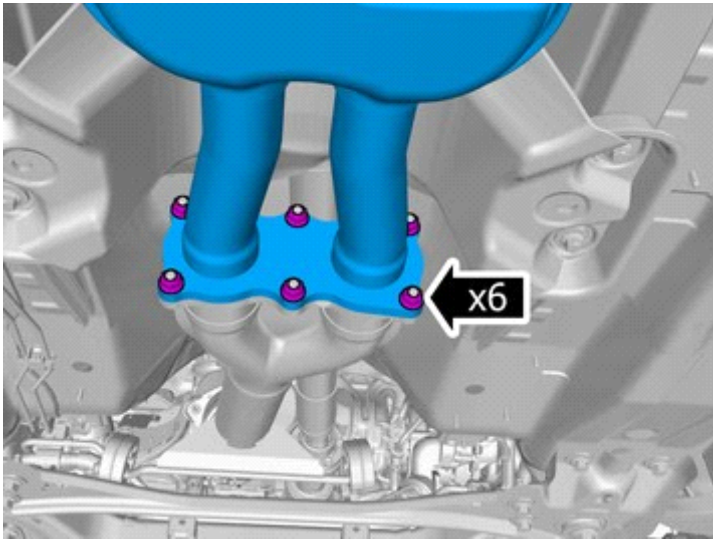
16



IMG-421628

Remove the marked part.

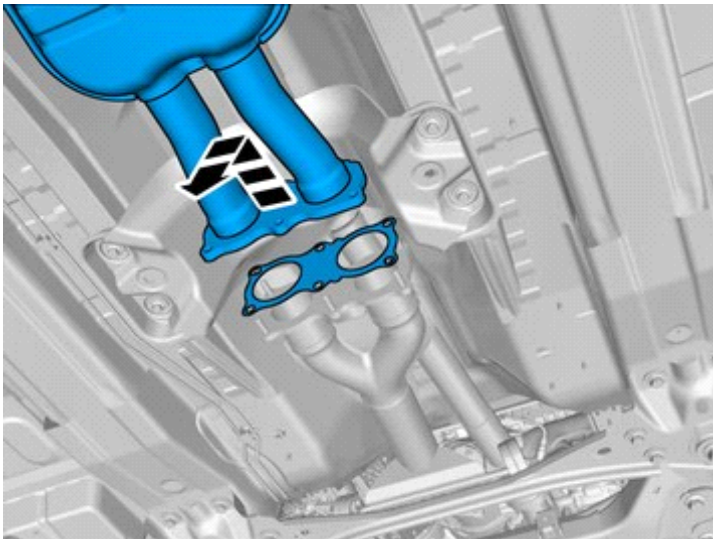
17



IMG-421629

Remove the nuts.

18



IMG-421630

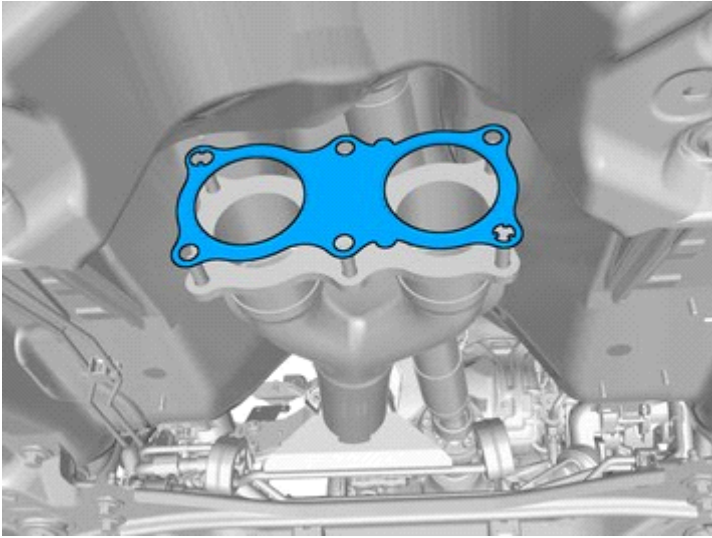
Remove the marked part.



Installation instructions, accessories

Volvo Car Corporation Gothenburg, Sweden

19

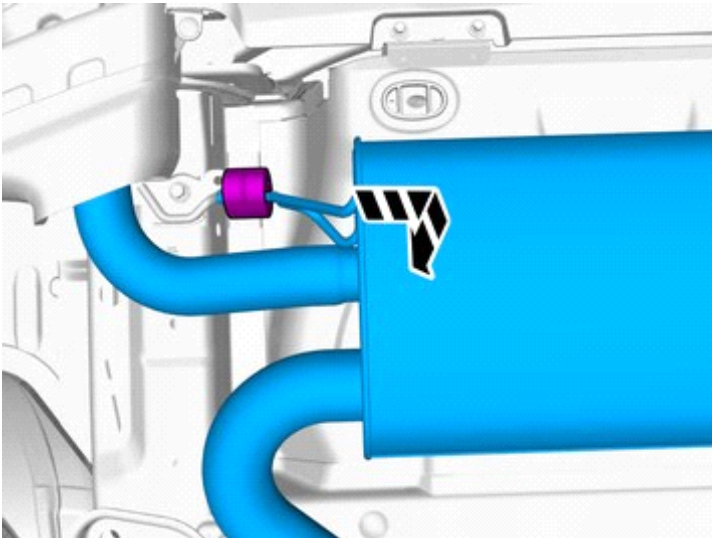


IMG-421617

Remove the marked part.

The part is not to be reused.

20



IMG-421623

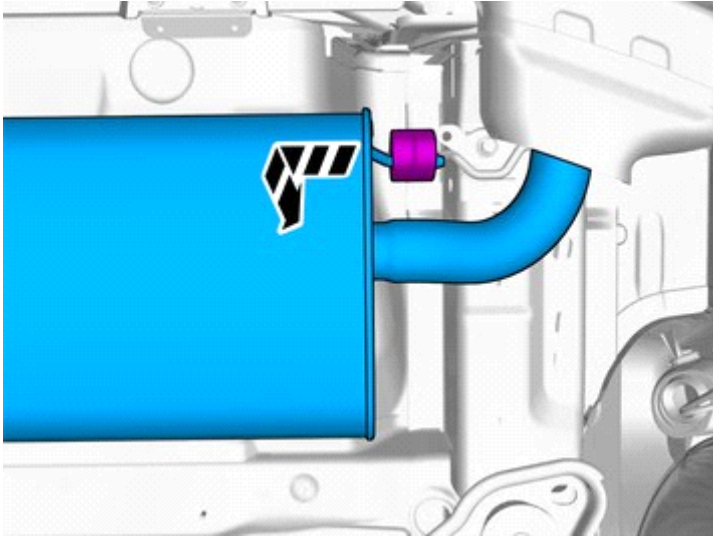
Remove the marked part.



Installation instructions, accessories

Volvo Car Corporation Gothenburg, Sweden

21



IMG-421624

Remove the marked part.

22



IMG-381538

Remove the screws.

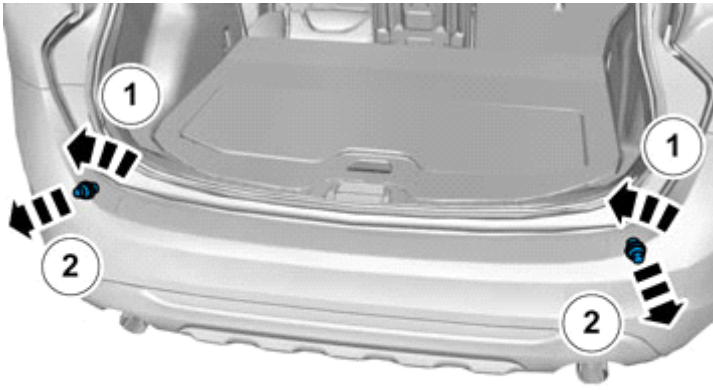
Applies to V60 models



Installation instructions, accessories

Volvo Car Corporation Gothenburg, Sweden

23



Remove the marked part.

IMG-343213

All vehicles

24



Remove the screws.

On both sides.

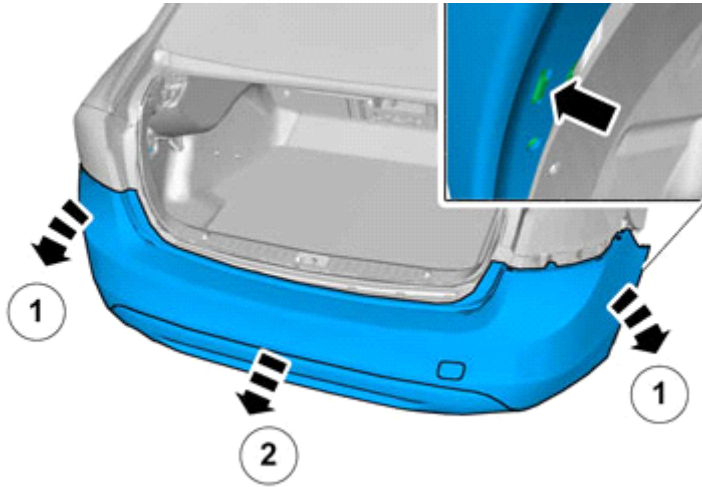
IMG-337277



Installation instructions, accessories

Volvo Car Corporation Gothenburg, Sweden

25

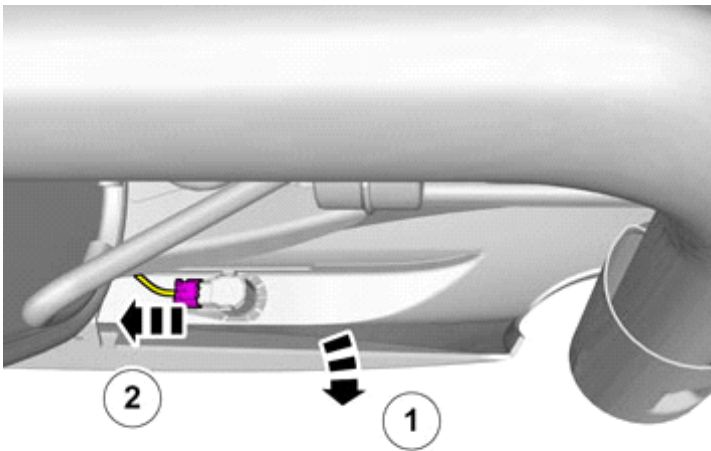


Request the aid of a colleague for this procedure.

IMG-337279

Vehicles with parking assistance

26



Disconnect the connectors.

On both sides.

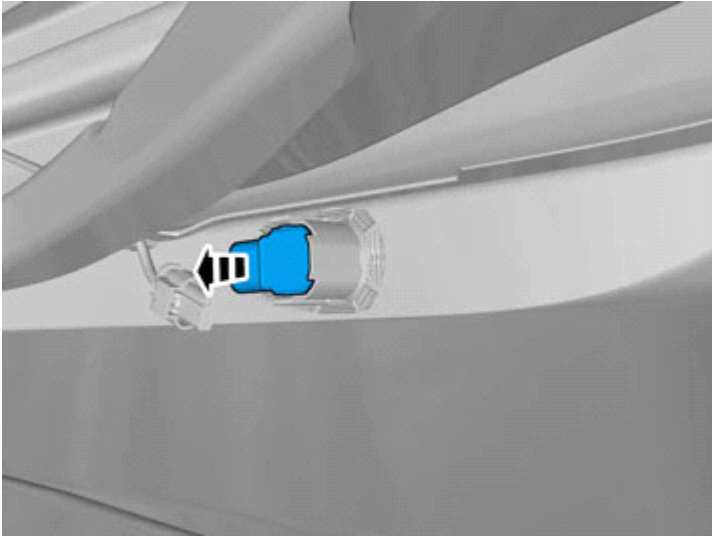
IMG-347701



Installation instructions, accessories

Volvo Car Corporation Gothenburg, Sweden

27

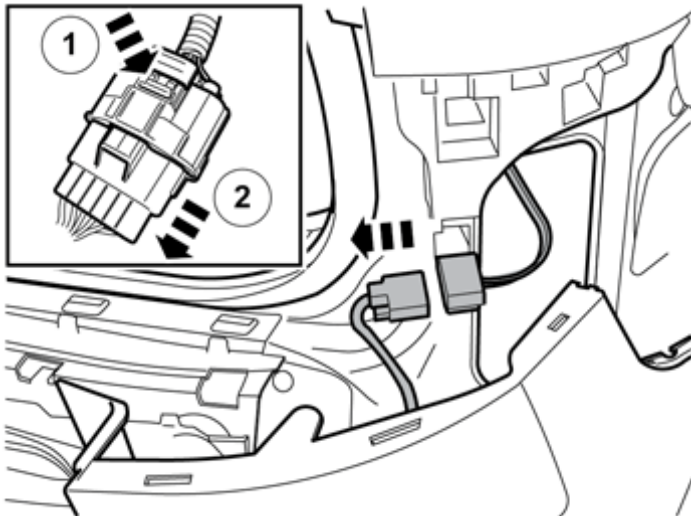


IMG-347702

Remove the marked part.

On both sides.

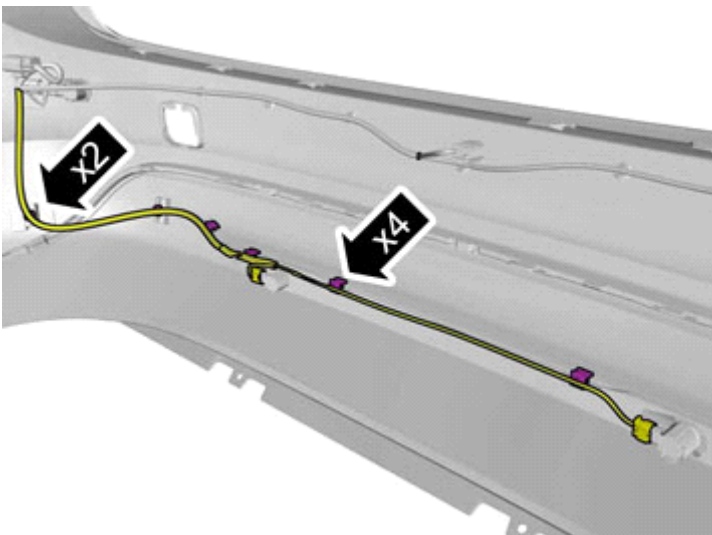
28



IMG-337311

Disconnect the connector.

29



IMG-347703

Loosen the clips.

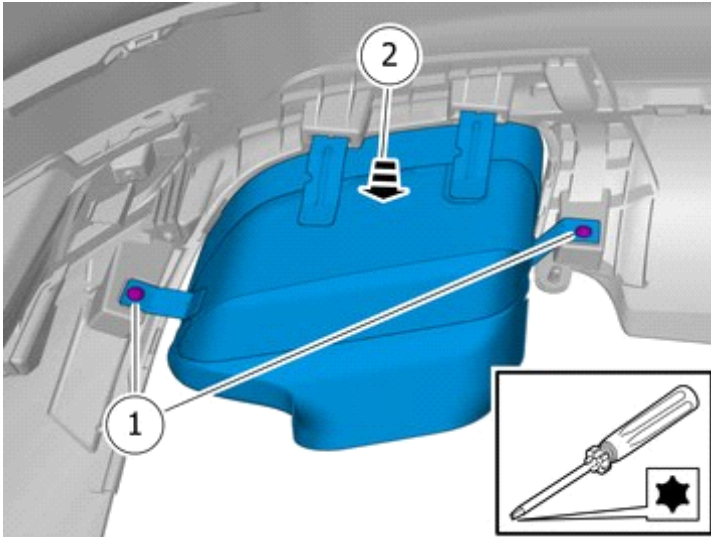


Installation instructions, accessories

Volvo Car Corporation Gothenburg, Sweden

All vehicles

30

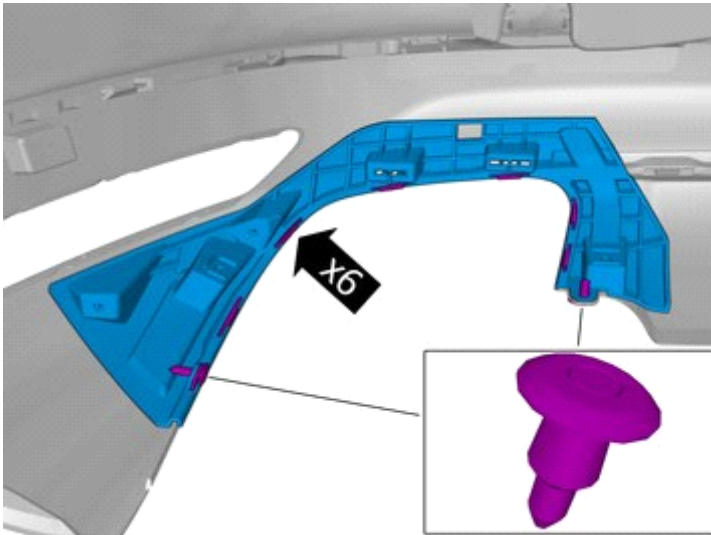


IMG-418700

Remove the screws.

On both sides.

31



IMG-418701

Remove the clips.

On both sides.

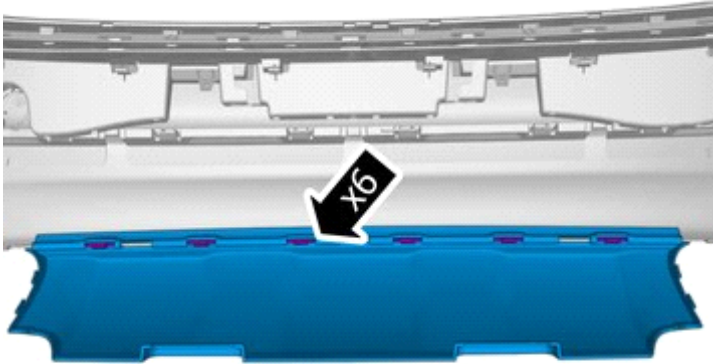


Installation instructions, accessories

Volvo Car Corporation Gothenburg, Sweden

32

Remove the marked part.



IMG-418706

33

Remove the marked part.



IMG-418702

Accessory installation

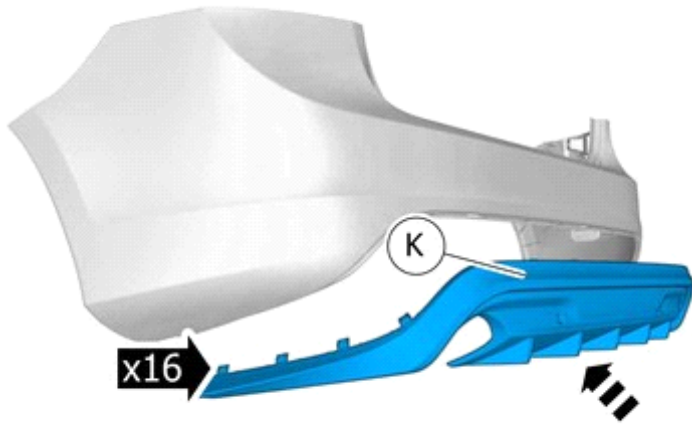


Installation instructions, accessories

Volvo Car Corporation Gothenburg, Sweden

34

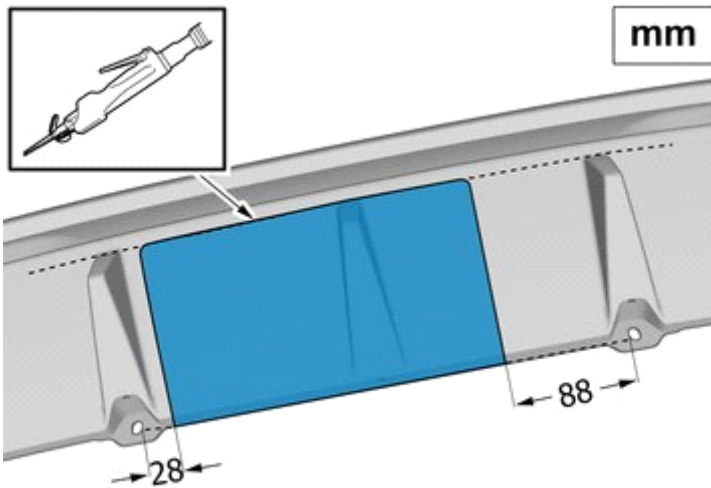
Install component that comes with the accessory kit.



IMG-419136

Vehicles with towbar

35



Cut the component following the instructions in the graphic.

IMG-418752

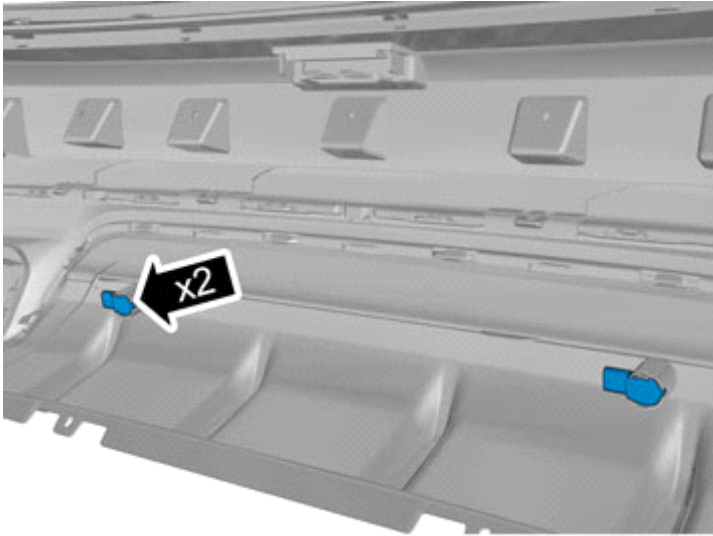
Vehicles with parking assistance



Installation instructions, accessories

Volvo Car Corporation Gothenburg, Sweden

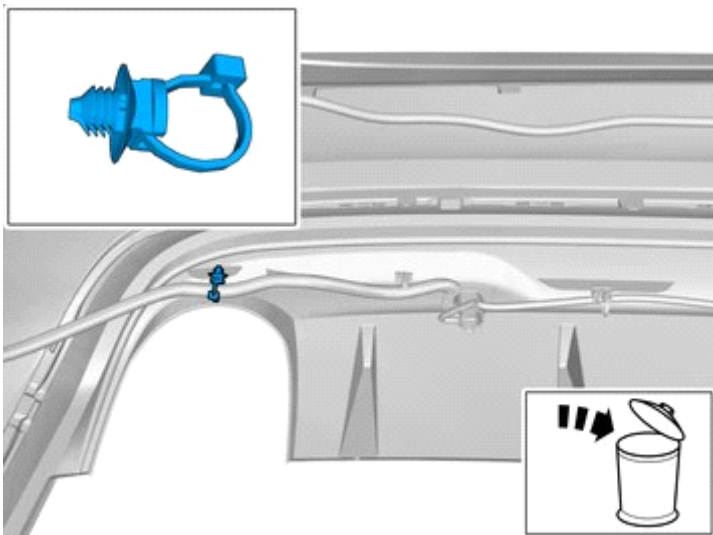
36



IMG-377956

Reinstall the removed part.

37

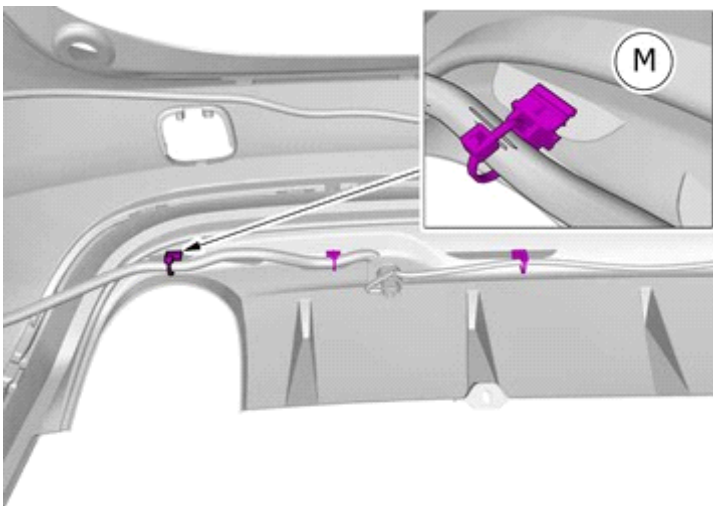


IMG-419169

Remove the clip.

The part is not to be reused.

38



IMG-421693

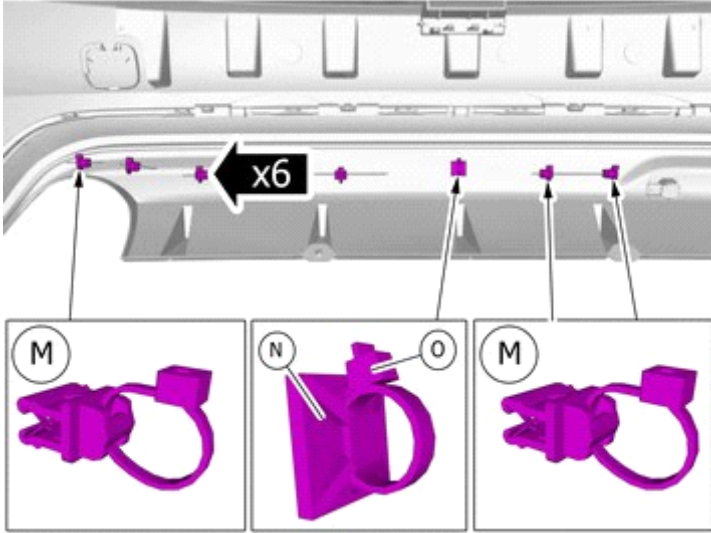
Install component that comes with the accessory kit.



Installation instructions, accessories

Volvo Car Corporation Gothenburg, Sweden

39

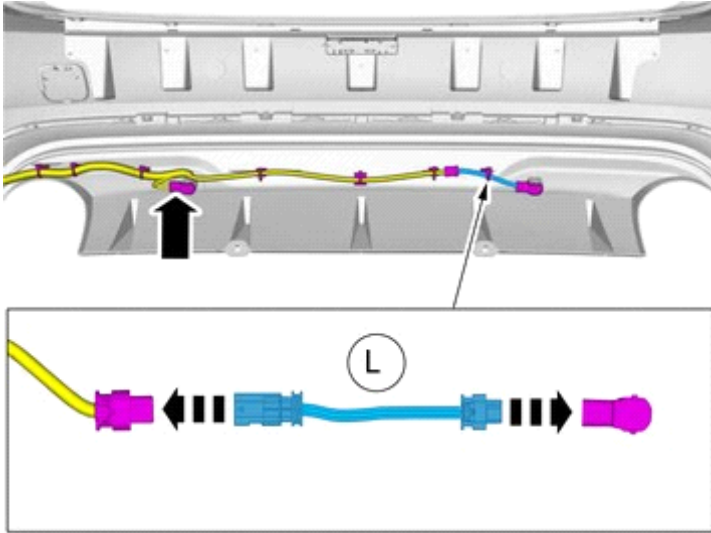


IMG-421695

Install component that comes with the accessory kit.

Install the clips as illustrated.

40



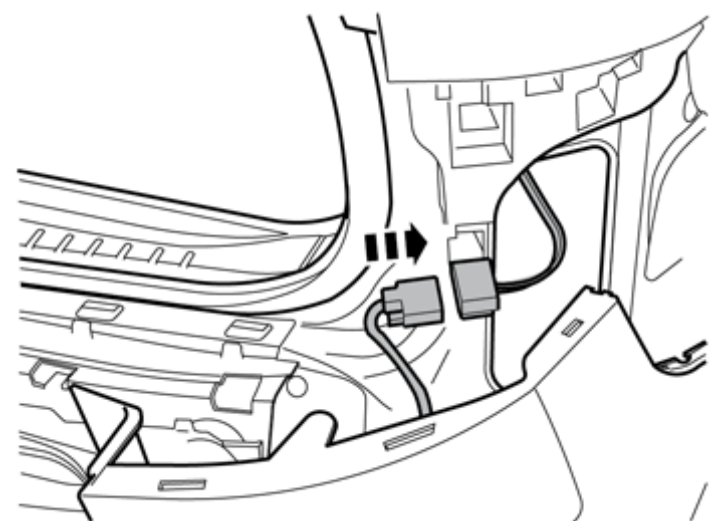
IMG-421697

Install component that comes with the accessory kit.

Connect the connectors.

Position/route the cable harness as illustrated.

41



IMG-337324

Place the Bumper Cover in position for installation.

Connect the connector.

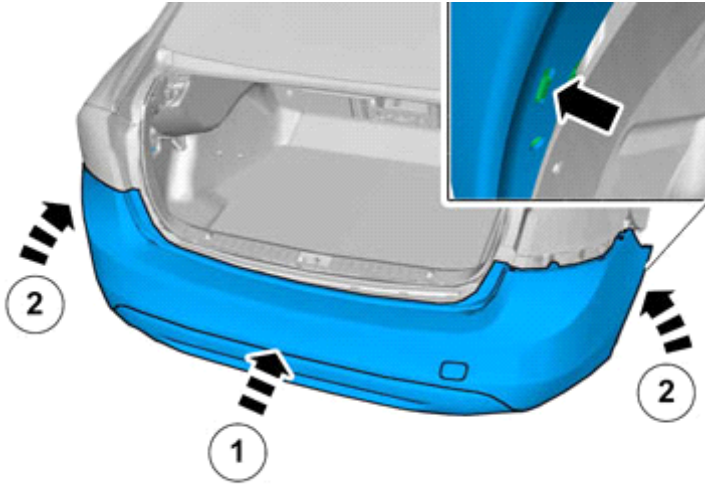


Installation instructions, accessories

Volvo Car Corporation Gothenburg, Sweden

All vehicles

42



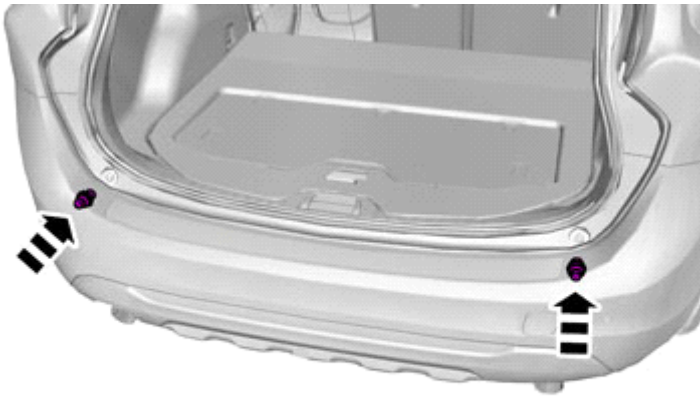
Note!

This step is easier with two people.

IMG-338572

Applies to V60 models

43



Reinstall the removed part.

IMG-347831

All vehicles



Installation instructions, accessories

Volvo Car Corporation Gothenburg, Sweden

44



IMG-337278

Install the screws.

On both sides.

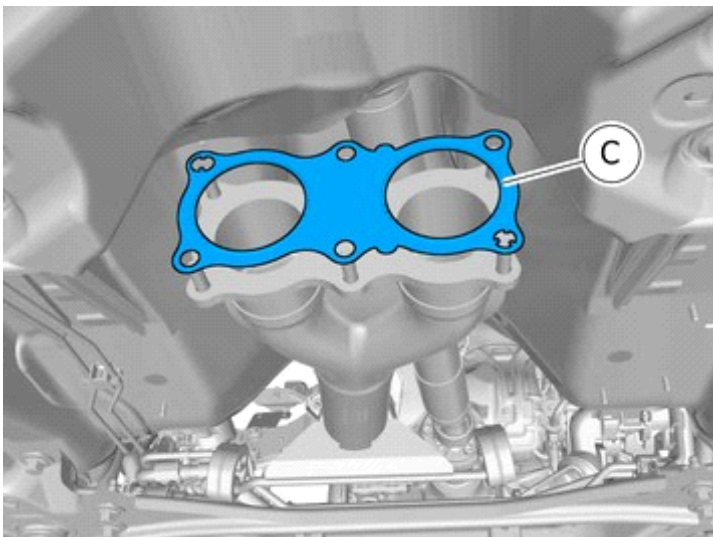
45



IMG-381538

Install the screws.

46



IMG-421616

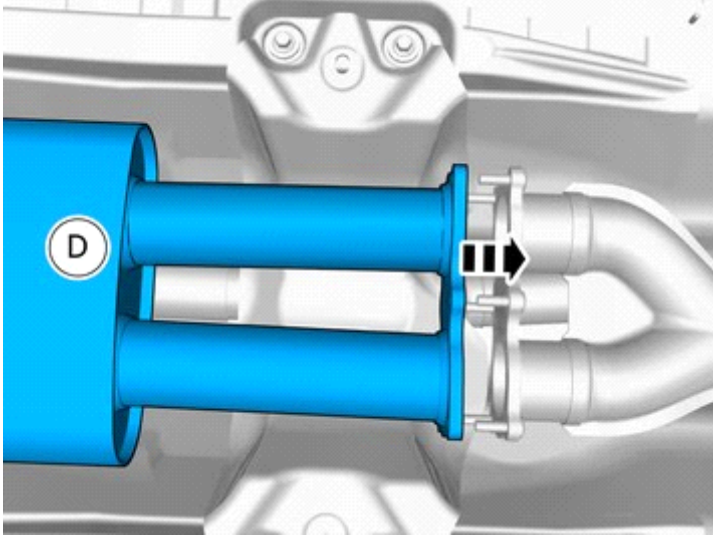
Install component that comes with the accessory kit.



Installation instructions, accessories

Volvo Car Corporation Gothenburg, Sweden

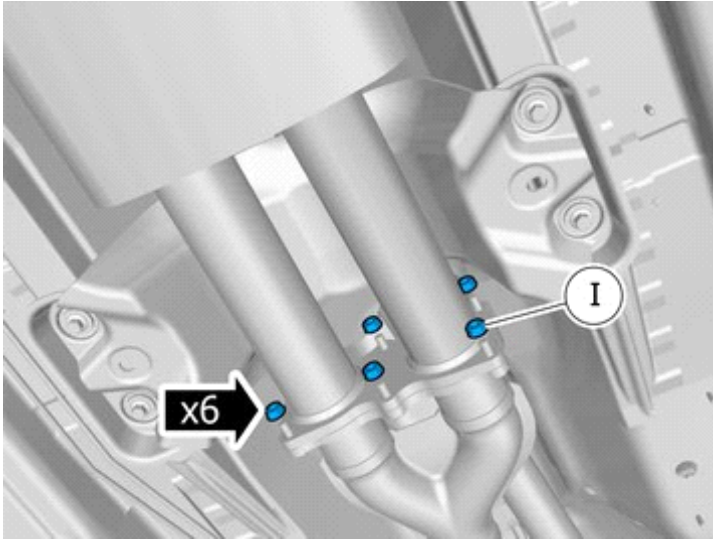
47



IMG-421618

Install component that comes with the accessory kit.

48



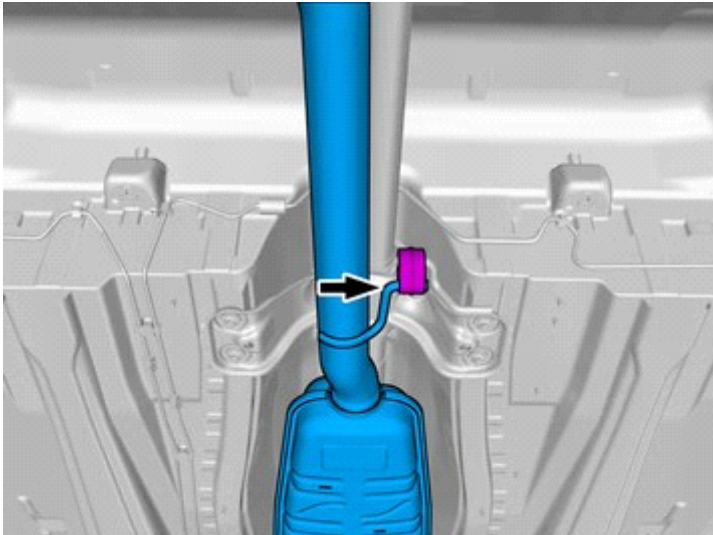
IMG-421619

Note!

Do not fully tighten the nuts yet.

Install component that comes with the accessory kit.

49



IMG-421632

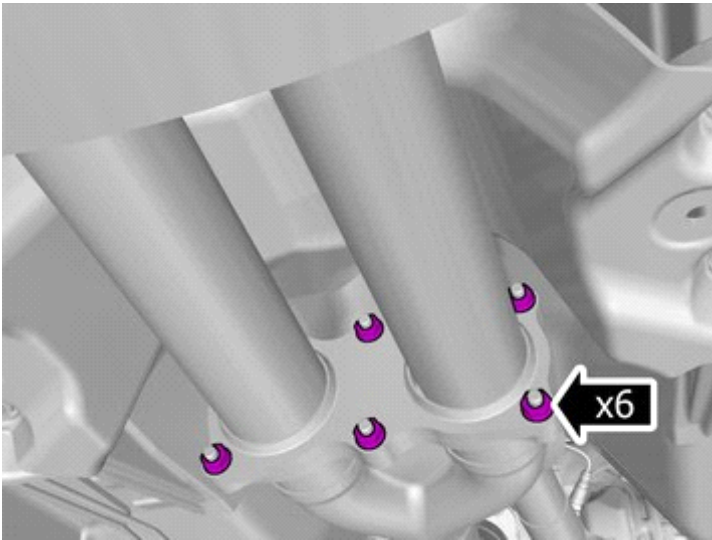
Press the marked component.



Installation instructions, accessories

Volvo Car Corporation Gothenburg, Sweden

50

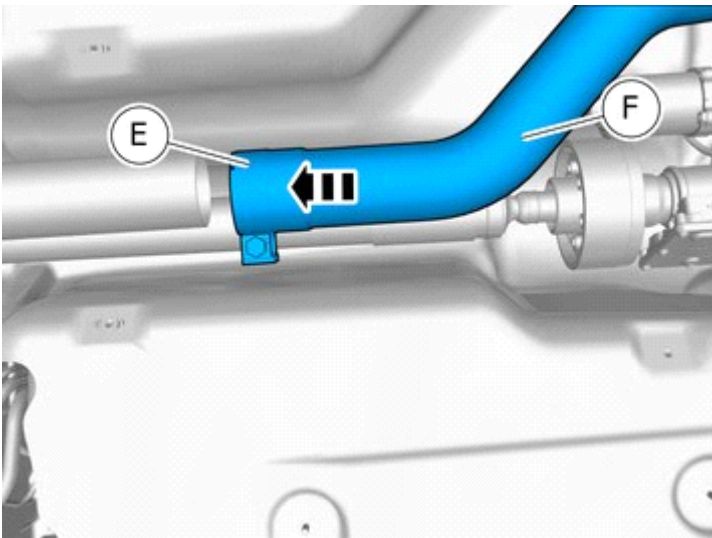


IMG-421615

Tighten the nuts.

Tightening torque: M8 , 24 Nm

51



IMG-421620

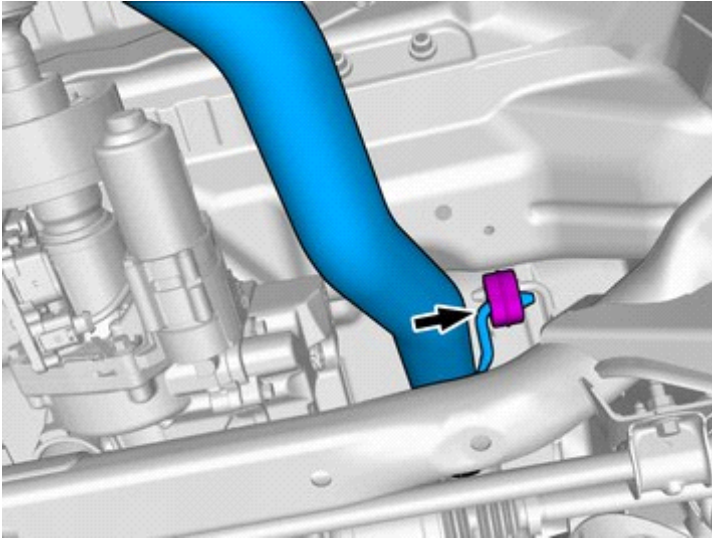
Install component that comes with the accessory kit.



Installation instructions, accessories

Volvo Car Corporation Gothenburg, Sweden

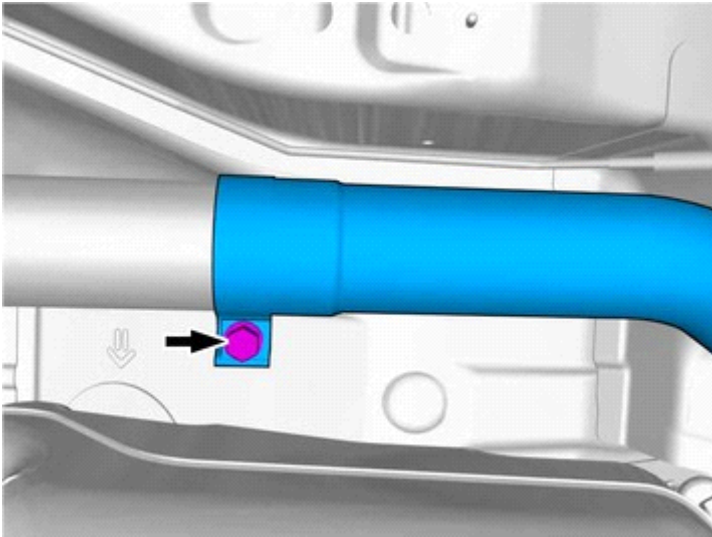
52



IMG-421631

Press the marked component.

53

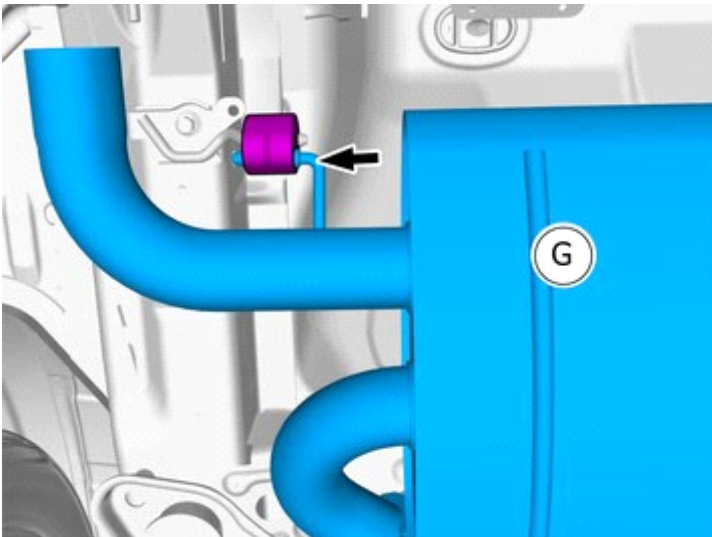


IMG-416182

Tighten the nut.

Tightening torque: Exhaust clamp , 60 Nm

54



IMG-421621

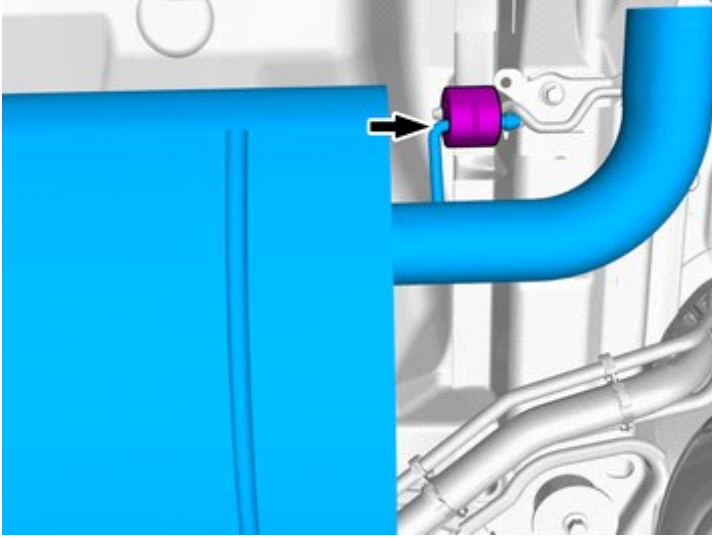
Install component that comes with the accessory kit.



Installation instructions, accessories

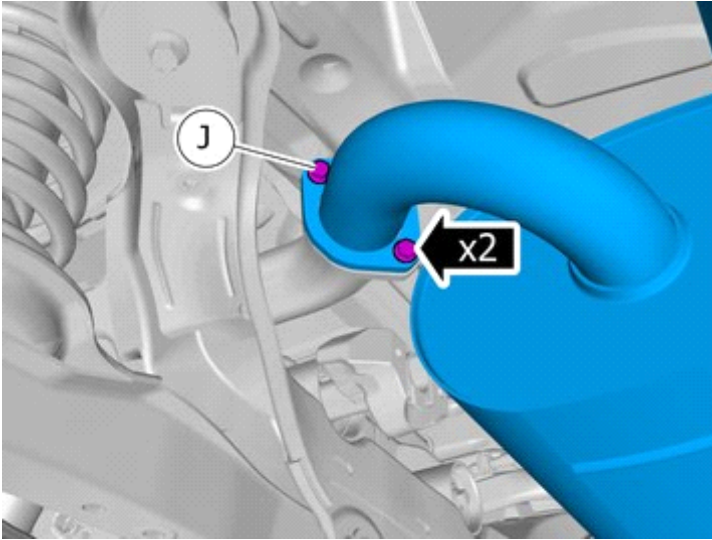
Volvo Car Corporation Gothenburg, Sweden

55



IMG-421622

56



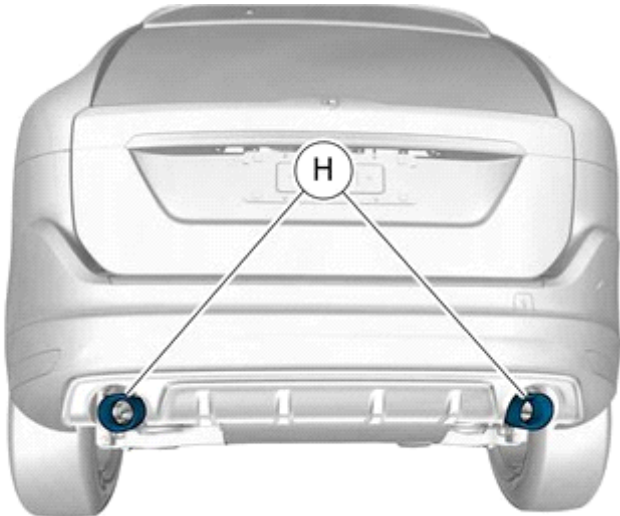
IMG-421625

Note!

Do not fully tighten the bolts.

Install component that comes with the accessory kit.

57



IMG-421633

Note!

Do not fully tighten the bolts.

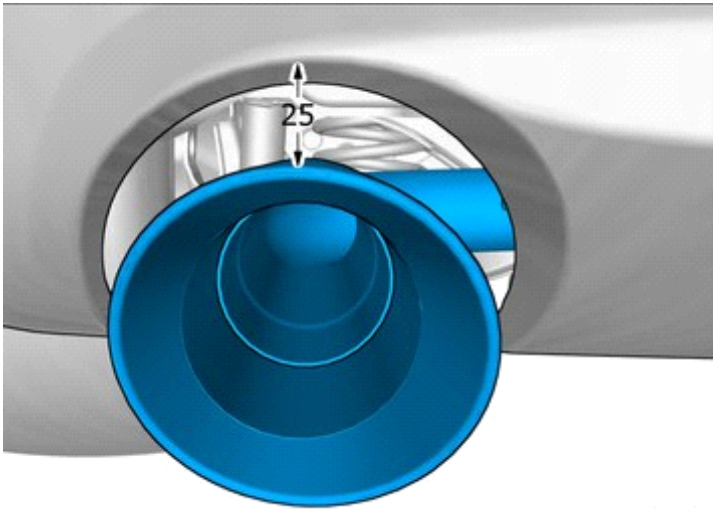
Install component that comes with the accessory kit.



Installation instructions, accessories

Volvo Car Corporation Gothenburg, Sweden

58



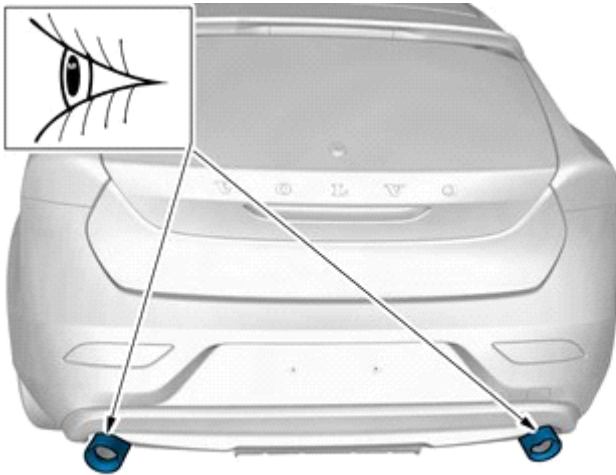
Adjust to the specified value.

On both sides.

mm

IMG-416819

59



Note!
Make sure that the component is centred.

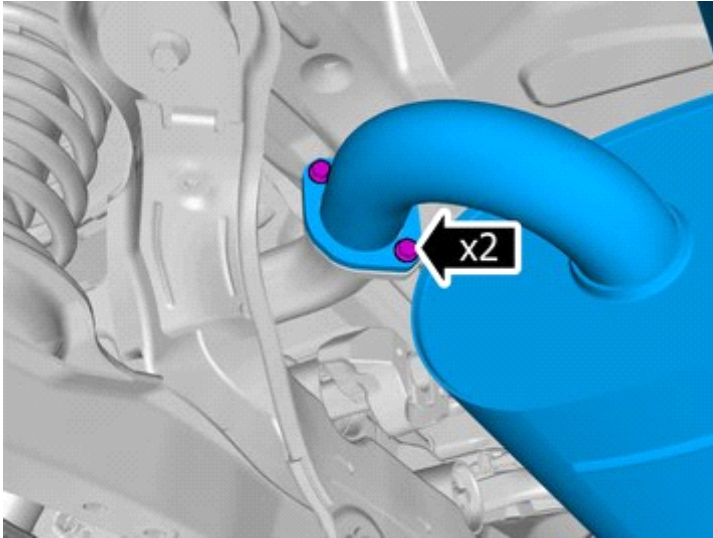
IMG-416187



Installation instructions, accessories

Volvo Car Corporation Gothenburg, Sweden

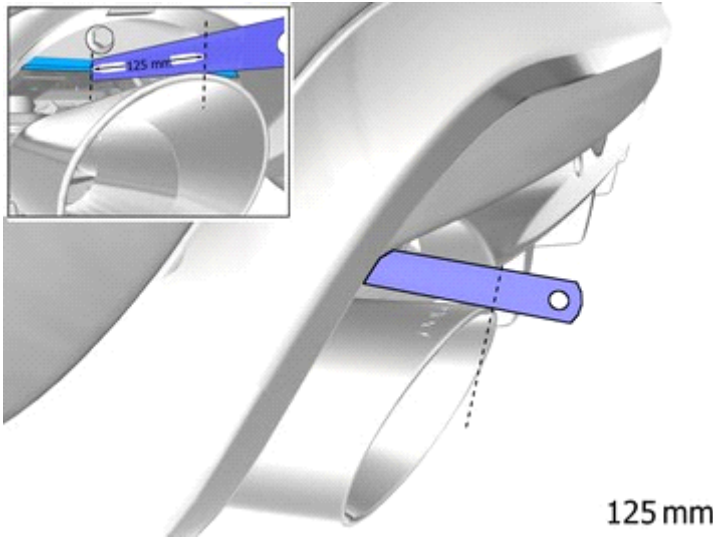
60



IMG-421626

Tightening torque: M8 , 24 Nm

61

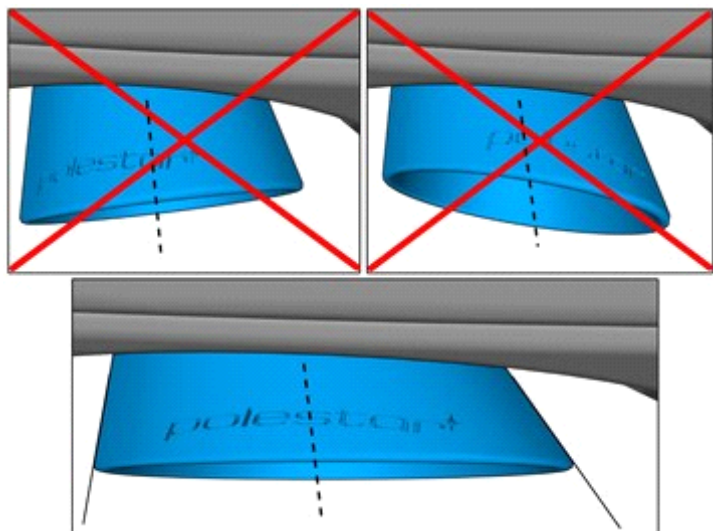


IMG-418787

Adjust to the specified value.

On both sides.

62



IMG-419310

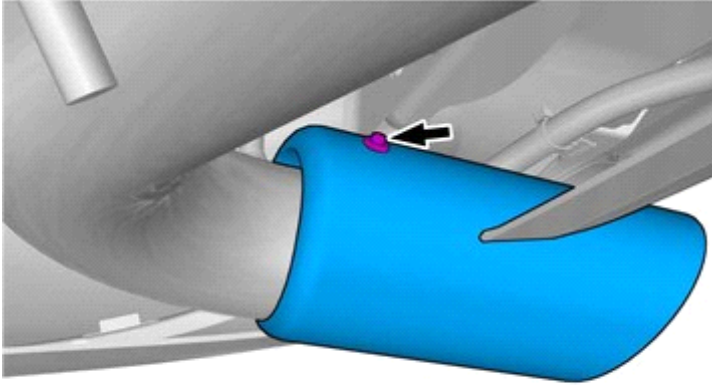
Note!
Make sure that the component is centred.



Installation instructions, accessories

Volvo Car Corporation Gothenburg, Sweden

63



Tightening torque: End pipe, to Muffler (Allen screw) , 5 Nm

On both sides.

IMG-416824